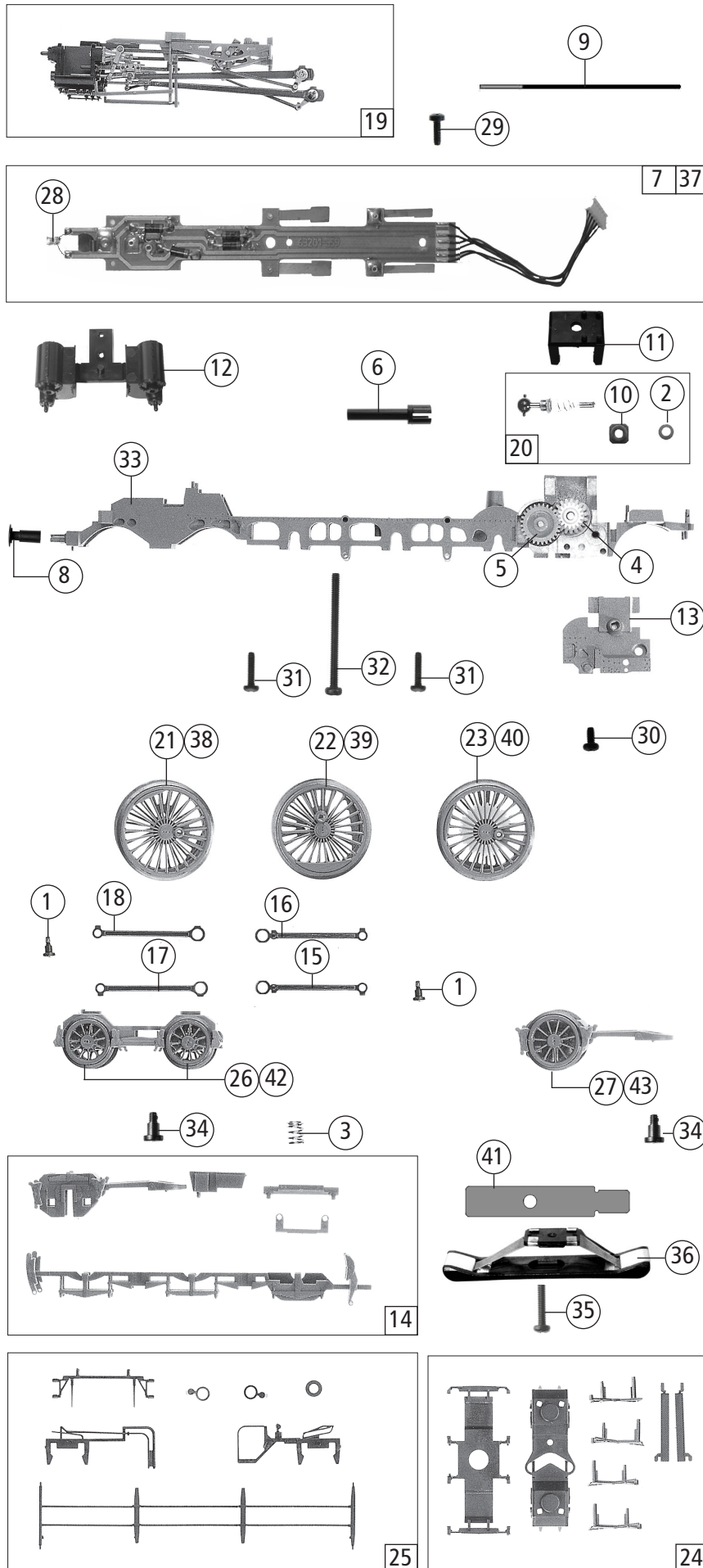
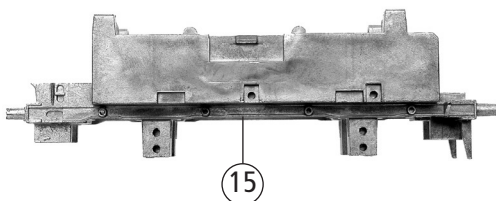
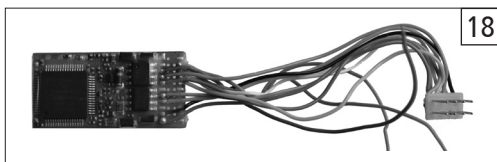
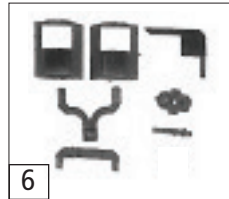
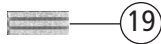
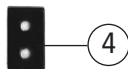
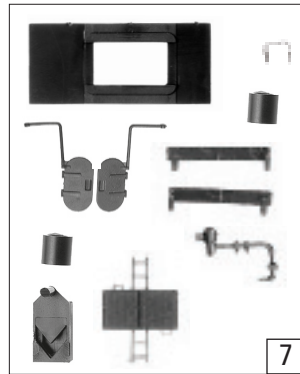
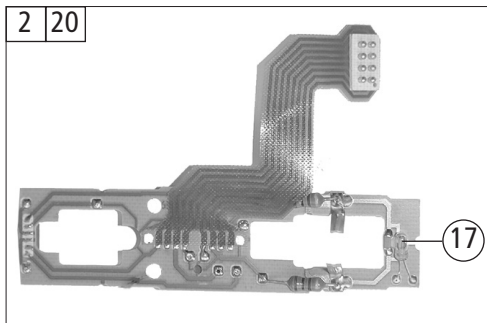
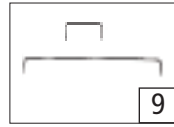
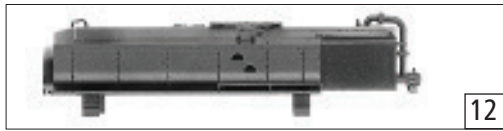


Pos. Nr. Pos.no.	Beschreibung Description	Art.-Nr. Art.no.	Preisgruppe Price bracket
70201	DR 02	=	
70202		=	🔊
78202		~	🔊
1	TS-Kessel Part set boiler	143586	12
2	TS-Kessel, Indusi Part set boiler, Indusi	108271	10
3	Lokpfeife Loco whistle	108274	6
4	TS-Kesselleitungen Part set boiler lines	143587	9
5	Federbügel Spring clip	108589	7
6	Bolzen Bolt	108590	4
7	GF-Schraube M2x8 mm Self-tapping screw M2x8 mm	114923	3
8	Kessel Boiler	143595	38
9	Führerhaus Driver cab	143599	18
10	Umlaufblech Running board	143596	22
11	TS-Kesselleitungen Part set boiler lines	143581	11
12	Windleitblech links+rechts Smoke deflector left&right	143575	7
13	TS-Leitungen, Leitern Part set lines, ladders	143580	7
14	TS-Leitungen und Stange Part set lines and rod	143582	8
15	TS-Sandrohre Set of sand pipes	143583	10
16	TS-Drahtstangen Part set thread rods	143584	16
17	Teilesatz Kessel Part set boiler	143576	9
18	Dachfenstergitter Roof top window protection grid	96762	8
Sound			
19	Lautsprecherplatte Loudspeaker PCB	133613	11
20	Lautsprecher Loudspeaker	129524	14
21	GF-Schraube M1,6x4 mm Self-tapping screw M1,6x4 mm	114850	3

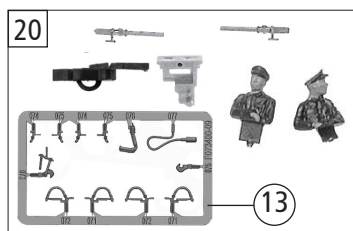
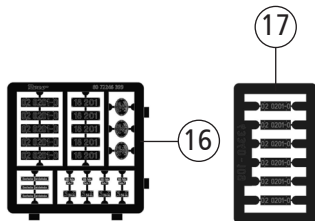
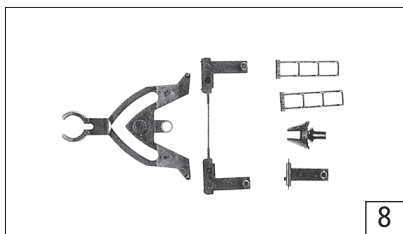
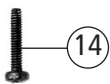
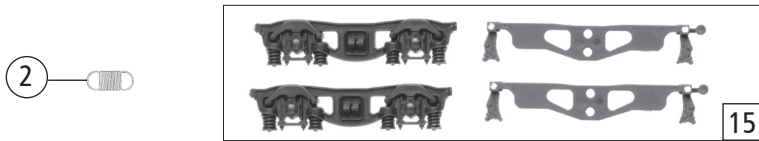
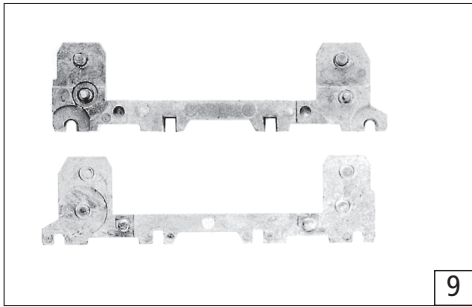
Änderungen in Konstruktion und Ausführung vorbehalten
We reserve the right to change the construction and specification



Pos. Nr. Pos.no.	Beschreibung Description	Art.-Nr. Art.no.	Preisgruppe Price bracket
70201	DR 02	=	
70202		=	🔊
78202		~	🔊
1	Schraube M1,4x3,2/1,1 Screw M1.4x3.2/1.1	85764	3
2	Beilagscheibe Washer	86108	3
3	Druckfeder Pressure spring	86271	4
4	Schneckenzahnrad Z=17/19 Worm gear wheel Z=17/19	86413	5
5	Zahnrad Z=28 Gear wheel Z=28	86517	3
6	Kardanhülse 24mm Cardan reception 24mm	87074	5
7	Lokplatine PCB for loco	87871	25
8	Puffer Li+Re Buffer L+R	127619	6
9	Drahtstange Thread rods	143598	5
10	Lager für Schneckenachse Bearing for worm gear axle	89749	6
11	Schneckendeckel Worm gear cover	94707	4
12	Zylinderblock Cylinder block	108280	12
13	Getriebedeckel Gear cover	108238	12
14	TS-Boden+Bremsbackenrahmen Part set floor + brake shoes frame	108239	13
15	Kuppelstange links Coupling rod left	108240	7
16	Kuppelstange rechts Coupling rod right	108241	7
17	Kuppelstange links Coupling rod left	108242	7
18	Kuppelstange rechts Coupling rod right	108243	7
19	Steuerung kpl. Reversing gear complete	140959	36
20	Schneckensatz mit Kardankugel Set of worm gear incl. cardan ball	108246	13
21	Treibradsatz 1m.Achslager kurz Driving wheelset 1 w.short axle bearing	108267	14
22	Treibradsatz 2 m.Achslager kurz Driving wheelset 2 w.short axle bearing	108268	14
23	Treibradsatz 3 m.Zahnrad Driving wheelset 3 w.gear wheel	108269	15
24	TS-Fahrwerk Part set chassis	108272	12
25	TS-Kessel Part set boiler	108273	9
26	Vorlaufrradsatz Carrying wheelset (front)	108281	9
27	Nachlaufrradsatz Carrying wheelset (rear)	108282	9
28	Drahtlampe T1 16V/30mA Bulb with leads T1 16V/30mA	109321	8
29	GF-Schraube M2x6 mm Self-tapping screw M2x6 mm	114828	3
30	GF-Schraube M2x4 mm Self-tapping screw M2x4 mm	114877	3
31	GF-Schraube M2x8 mm Self-tapping screw M2x8 mm	114923	3
32	GF-Schraube M2x25 mm Self-tapping screw M2x25 mm	115533	3
33	Grundrahmen Basic frame	143592	16
34	GF-Ansatzschraube M2x2,8x3,5 Self-Screw M2x2.8x3.5	120685	3
AC - Wechselstrom			
35	GF-Schraube M1,6x12 mm Self-tapping screw M1.6x12 mm	115138	3
36	Schleifer 56mm Center pick-up 56mm	86033	14
37	Lokplatine PCB for loco	87875	21
38	Treibradsatz 1m.Achslager kurz AC Driving wheelset 1 w.short axle bearing AC	108306	14
39	Treibradsatz 2 m.Achslager kurz AC Driving wheelset 2 w.short axle bearing AC	108307	14
40	Treibradsatz 3 m.Zahnrad AC Driving wheelset 3 w.gear wheel AC	108308	15
41	Schleiferkontakt Pick-up contact	108311	4
42	Vorlaufrradsatz AC Carrying wheelset (front) AC	108312	9
43	Nachlaufrradsatz AC Carrying wheelset (rear) AC	108313	9



Pos. Nr. Pos.no.	Beschreibung Description	Art.-Nr. Art.no.	Preisgruppe Price bracket
70201	DR 02		
70202			🔊
78202		~	🔊
1	Motor Motor	85128	28
2	Tenderplatine komplett Tender PCB complete	87870	29
3	Standardkupplung Standard coupling	89246	6
4	Brückenstecker Connector	100644	6
5	Kardanwelle Cardan shaft	106216	5
6	TS-Fenster + Lichtleiter Part set window + light conductor	108249	13
7	TS-Tender Part set Tender	143588	12
8	Motorspange Motor clip	121691	5
9	Griffstangensatz Handrail set	108288	6
10	Tendergriffstange Tender handrail	108591	4
11	Tendergehäuse Tender body	143578	26
12	Tenderoberteil Tender upper section	143591	17
13	Laternenhalter Tendergehäuse Lamp support tender body	114853	3
14	Tenderdrahtstange Tender thread rod	143589	4
15	Tendergrundrahmen Tender basic frame	143590	16
16	Bürstenfeder Brush spring	114197	3
17	Drahtlampe T1 16V/30mA Bulb with leads T1 16V/30mA	109321	8
Sound			
18	Sounddecoder Sound-decoder	141655	40
19	Lötverbindung Soldered connection	131427	5
AC - Wechselstrom			
20	Tenderplatine komplett Tender PCB complete	87873	25



Pos. Nr. Pos.no.	Beschreibung Description	Art.-Nr. Art.no.	Preisgruppe Price bracket
70201	DR 02	=	
70202		=	🔊
78202		~	🔊
1	Hafringsatz 10Stk. 10,3-12,8 mm Set w.traction tyres 10pcs.10,3-12,8mm	40069	---
2	Zugfeder Draw spring	86208	3
3	Kegeldruckfeder Conical pressure spring	86234	3
4	Schneckenzahnrad Z=17/19 Worm gear wheel Z=17/19	86413	5
5	Zahnrad Z=21 G/M=0,4 Gear wheel Z=21 G/M=0,4	86414	3
6	Zahnrad Z=24 rot M=0.4 20 Grad Gear wheel Z=24 rot M=0.4 20 Grad	86516	3
7	Radsatz o.Haftring o.Zahnrad Wheelset w/o trac.tyre and gear wheel	121877	9
8	TS-Lok-Tender-Kupplung Coupling between loco and tender	108261	10
9	Getriebebesatz 2-teilig Tender Gear set 2-parts for Tender	108262	11
10	Getriebeboden lackiert Gear bottom painted	108263	9
11	Radsatz mit Zahnrad und Haftring Wheelset w.gear wheel and trac. tyre	108265	12
12	Lokführer seitlich Lateral loco driver	89724	6
13	TS-Bremsschläuche und Zughaken Part set brake tubes & coupling hooks	139832	7
14	GF-Schraube M2x10 mm Self-tapping screw M2x10 mm	114854	3
15	Tenderblende +Bremsbackensatz Tender blinds and break shoes set	117467	5
16	Tafelsatz lackiert Set of painted panels	143600	12
17	Nummertafel Part set of number plates	143577	8
18	Heizer Fireman	89725	6
19	Kurzkupplung-Vorentkupplung Short coupling- pre-uncoupling	115550	6
20	Zurüstbeutel Bag of accesories	143597	15
AC - Wechselstrom			
21	Hafringsatz 10Stk. 10,3-12,4 mm Set w.traction tyres 10pcs.10,3-12,4mm	40074	---
22	Radsatz o.Haftring o.Zahnrad AC Wheelset w/o trac.tyre and gear wheel	108304	10
23	Radsatz mit Zahnrad und Haftring AC Wheelset w.gear wheel and trac. tyre	108305	12